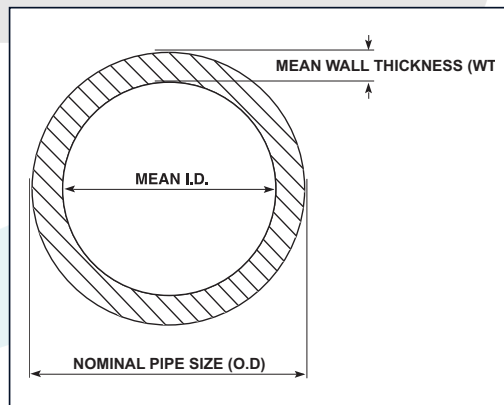
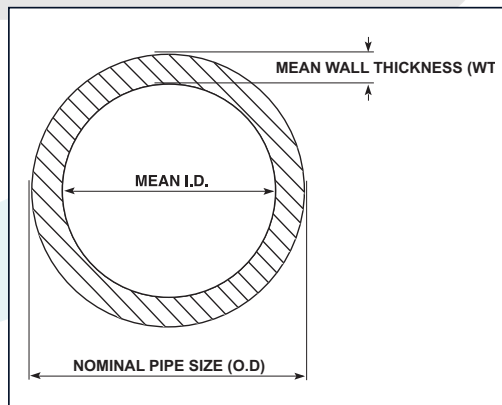


OD	SDR41 PN 4			SDR26 PN 6.3			SDR21 PN 8			SDR 17 PN 10		
	WT	ID	KG/M	WT	ID	KG/M	WT	ID	KG/M	WT	ID	KG/M
16	-	-	-	-	-	-	-	-	-	-	-	-
20	-	-	-	-	-	-	-	-	-	-	-	-
25	-	-	-	-	-	-	-	-	-	1.8	21.7	0.1
32	-	-	-	-	-	-	1.8	28.7	0.2	2.1	28.1	0.2
40	-	-	-	-	-	-	2.1	36.1	0.2	2.6	35.0	0.3
50	-	-	-	-	-	-	2.6	45.1	0.4	3.2	43.9	0.5
63	-	-	-	2.6	58.1	0.5	3.2	56.9	0.6	4.1	55.2	0.7
75	-	-	-	3.1	69.2	0.7	3.9	67.7	0.8	4.8	65.8	1.0
90	-	-	-	3.8	83.0	1.0	4.6	81.3	1.2	5.8	79.0	1.5
110	2.9	104.7	0.9	4.6	101.3	1.5	5.7	99.2	1.8	7.0	96.5	2.2
125	3.4	118.9	1.2	5.1	115.4	1.9	6.4	112.9	2.3	7.9	109.9	2.8
140	3.8	133.2	1.6	5.8	129.2	2.3	7.1	126.5	2.9	8.8	123.1	3.5
160	4.3	152.3	2.0	6.6	147.6	3.1	8.2	144.5	3.8	10.1	140.7	4.6
180	4.7	171.5	2.5	7.3	166.3	3.8	9.1	162.7	4.7	11.3	158.3	5.8
200	5.2	190.5	3.1	8.2	184.6	4.7	10.2	180.6	5.8	12.6	175.8	7.1
225	5.9	214.4	3.9	9.1	207.9	6.0	11.4	203.3	7.4	14.2	197.8	9.0
250	6.6	238.0	4.9	10.2	230.9	7.4	12.6	226.1	9.0	15.6	220.0	11.1
280	7.3	266.7	6.0	11.3	258.7	9.2	14.2	253.0	11.4	17.5	246.3	13.9
315	8.2	300.2	7.6	12.8	290.9	11.7	15.8	284.9	14.3	19.7	277.1	17.6
355	9.2	338.2	9.6	14.4	327.9	14.8	17.8	321.0	18.2	22.3	312.1	22.4
400	10.4	381.1	12.2	16.2	369.5	18.8	20.2	361.5	23.2	25.0	351.9	28.3
450	11.6	428.9	15.4	18.2	415.8	23.7	22.7	406.8	29.3	28.1	395.9	35.9
500	13.0	476.3	19.2	20.2	462.0	29.3	25.2	452.0	36.2	31.2	440.0	44.2
560	14.5	533.6	23.9	22.6	517.4	36.7	28.1	506.3	45.3	35.0	492.6	55.6
630	16.3	600.4	30.2	25.4	582.1	46.5	31.6	569.8	57.2	39.3	554.4	70.2
710	18.4	676.5	38.4	28.7	655.9	59.1	35.7	641.9	72.8	44.3	624.6	89.3
800	20.7	762.3	48.7	32.2	739.2	74.8	40.1	723.4	92.3	49.9	703.9	113.2
900	23.2	857.8	61.5	36.2	831.7	94.7	45.1	813.9	116.7	56.3	791.6	143.7
1000	25.8	952.9	76.1	40.2	924.1	116.8	50.2	904.2	144.2	62.4	879.8	177.0
1200	31.0	1143.1	109.5	48.3	1108.5	168.2	60.2	1084.7	207.5	71.4	1062.3	243.7



Information presented here is for reference only and may not be complete. All dimensions are nominal and may vary from actual dimension. For accurate dimensional data and other information please contact ACU-TECH sales

OD	SDR13.6 PN 12.5			SDR11 PN 16			SDR9 PN 20			SDR 7.4 PN 25		
	WT	ID	KG/M	WT	ID	KG/M	WT	ID	KG/M	WT	ID	KG/M
16	-	-	-	1.8	12.7	0.1	2.0	12.3	0.1	2.4	11.4	0.1
20	1.8	16.7	0.1	2.1	16.1	0.1	2.5	15.2	0.1	3.0	14.2	0.2
25	2.1	21.1	0.1	2.5	20.2	0.2	3.0	19.2	0.2	3.8	17.7	0.2
32	2.6	27.0	0.2	3.1	26.0	0.3	3.9	24.5	0.3	4.7	22.8	0.4
40	3.2	33.8	0.4	4.0	32.3	0.4	4.8	30.6	0.5	5.9	28.5	0.6
50	4.0	42.4	0.6	4.9	40.5	0.7	6.0	38.4	0.8	7.3	35.7	0.9
63	5.0	53.3	0.9	6.2	51.0	1.1	7.6	48.2	1.3	9.1	45.1	1.5
75	5.9	63.7	1.2	7.2	61.0	1.5	8.9	57.6	1.8	10.9	53.6	2.1
90	7.0	76.5	1.8	8.7	73.1	2.1	10.7	69.1	2.6	13.0	64.5	3.0
110	8.6	93.3	2.6	10.6	89.4	3.2	13.0	84.5	3.8	16.0	78.6	4.5
125	9.8	106.1	3.4	12.1	101.5	4.1	14.8	96.1	4.9	18.1	89.5	5.9
140	10.9	118.9	4.3	13.4	113.9	5.1	16.6	107.6	6.2	20.3	100.2	7.3
160	12.5	135.9	5.6	15.4	130.0	6.7	18.9	123.1	8.1	23.1	114.7	9.6
180	14.1	152.8	7.1	17.3	146.3	8.5	21.2	138.5	10.2	25.9	129.1	12.1
200	15.5	169.9	8.7	19.2	162.5	10.5	23.6	153.7	12.6	28.8	143.4	14.9
225	17.5	191.1	11.0	21.6	182.9	13.3	26.5	173.2	15.9	32.4	161.3	18.9
250	19.4	212.4	13.6	23.9	203.4	16.4	29.4	192.5	19.6	36.0	179.2	23.3
280	21.7	237.9	17.0	26.8	227.8	20.5	33.0	215.4	24.6	40.3	200.7	29.3
315	24.5	267.6	21.5	30.1	256.3	26.0	37.1	242.4	31.2	45.2	226.1	36.9
355	27.5	301.6	27.3	33.9	288.8	33.0	41.7	273.3	39.5	51.0	254.6	47.0
400	31.0	339.9	34.6	38.2	325.4	41.9	47.0	307.8	50.2	57.4	287.0	59.6
450	34.9	382.4	43.8	43.0	366.1	53.0	52.8	346.5	63.5	64.7	322.8	75.5
500	38.7	424.9	54.1	47.8	406.8	65.4	58.7	385.0	78.4	71.1	360.2	92.6
560	43.4	475.8	67.8	53.4	455.7	81.9	65.7	431.1	98.3	-	-	-
630	48.7	535.5	85.7	60.2	512.6	103.8	73.9	485.1	124.4	-	-	-
710	54.9	603.4	108.9	67.8	577.6	131.8	83.4	546.5	158.2	-	-	-
800	61.8	680.0	138.1	76.3	651.1	167.1	93.9	615.9	200.7	-	-	-
900	69.9	764.9	175.0	85.9	732.4	211.6	-	-	-	-	-	-
1000	76.2	852.1	213.1	94.8	814.9	259.8	-	-	-	-	-	-
1200	92.7	1019.6	310.7	-	-	-	-	-	-	-	-	-



Information presented here is for reference only and may not be complete. All dimensions are nominal and may vary from actual dimension. For accurate dimensional data and other information please contact ACU-TECH sales