

PE CATALOGUE

---

# COMPRESSION FITTINGS





Acu-Tech® Piping Systems (Acu-Tech) specialises in manufacturing and supplying advanced polyethylene (HDPE) pipe systems tailored for efficient fluid or gas transfer and cable protection. Our state-of-the-art pipe systems are predominantly made from polyethylene (PE) thermoplastics, integrating the latest advancements in pipe technology. These systems are extensively utilised across various industries, including mining, resource extraction, civil engineering, plumbing, rural applications, irrigation, and industrial sectors.

Founded in 2000, Acu-Tech commenced its journey within three shipping containers, evolving into a thriving Australian company that is privately owned and operated. The company's founders and owners actively participate in day-to-day operations, fostering a culture of inspiration, strong leadership, flexible decision-making, and unwavering accountability throughout the organisation.

With our expanding operations nationwide, the dedicated Acu-Tech team is committed to providing the highest level of service and support throughout every stage of your project. Our team members bring decades of collective experience and embrace a positive “can-do” attitude, deeply committed to ensuring the sustained success of your business.

## We Care.

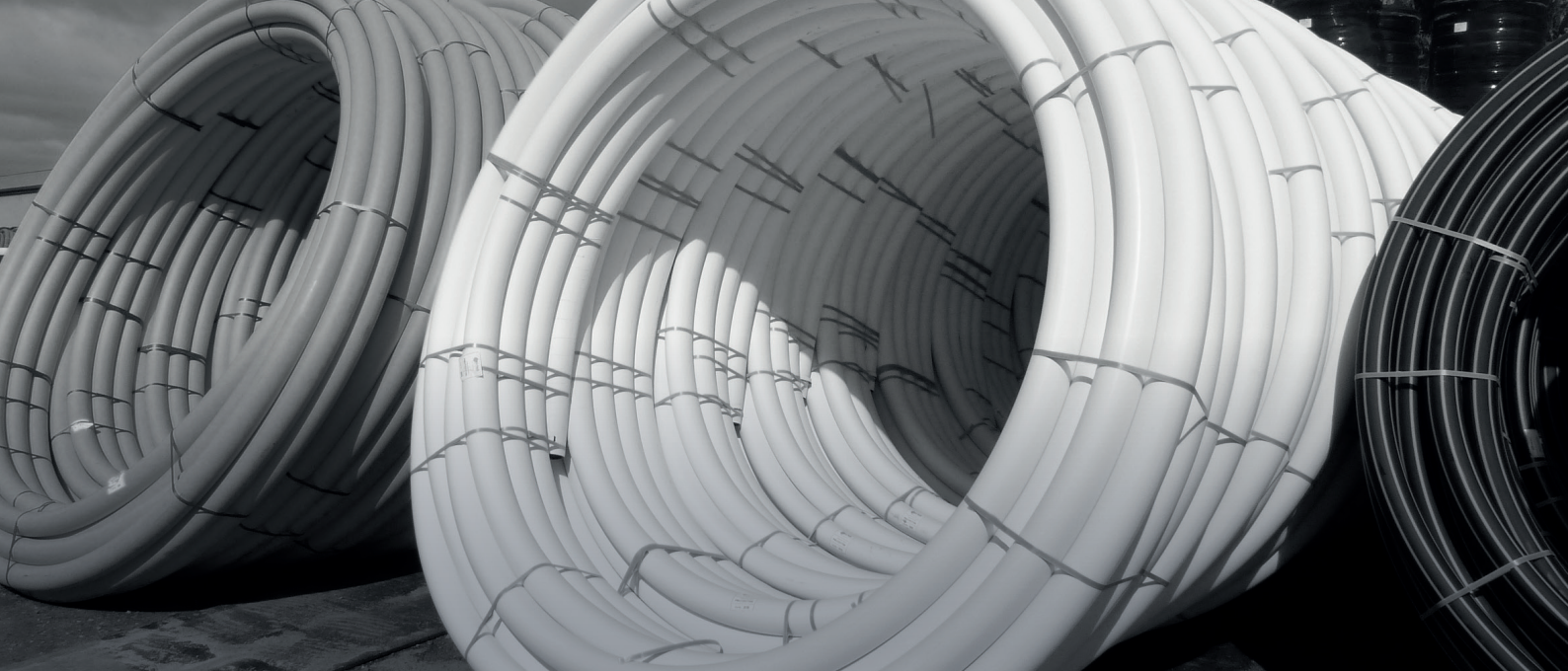
Acu-Tech prioritises high quality customer service and support, focusing on always having a positive ‘can-do’ attitude.

## Our Solutions.

With state-of-the-art manufacturing facilities and decades of combined experience, Acu-Tech prioritises continuous innovation and superior products for your HDPE piping needs. Offering turnkey solutions and project management services with a strong emphasis on customer support and success, we ensure tailored solutions that align perfectly with your requirements, whether it's fluid or gas transfer, cable protection, or any other application.

## Your Success.

Your Success is our priority. Our durable and cost-effective products, combined with premium client service and support, demonstrate our unwavering commitment to ensuring the long-term success of your business. At Acu-Tech, we are more than just a supplier; we are your partner in success.



## OUR VISION

Building Australia's future.

## OUR MISSION

Delivering the best pipe solutions for our customers.

## OUR VALUES



**S**

**Safety**



**T**

**Trustworthy**



**R**

**Reliable**



**I**

**Innovative**



**V**

**Value**



**E**

**Energy**

### Safety

We promote wellbeing first – by following our health and safety practices and speaking up immediately if something seems unsafe.

### Trustworthy

We move fast with a high level of trust. We honour our commitments to our customers, team, and community.

### Reliable

We have grit, perseverance, and bravery to overcome obstacles, and do what we say we will.

### Innovative

We bravely challenge, explore, and implement, effective and improved ways to deliver the best solution.

### Value

We are humble, hungry, smart and believe that our team is our greatest asset - every role and every person with great attitude brings value.

### Energy

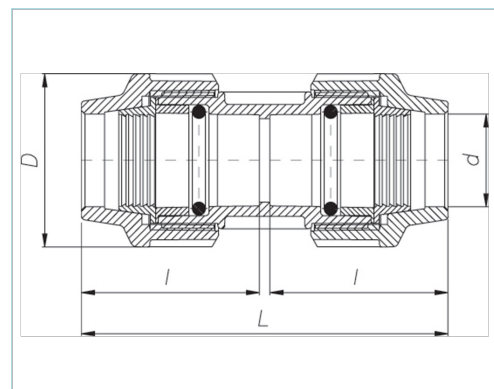
We are hungry, driven by fearless energy 'hustle muscle' to achieve exceptional outcomes by motivating ourselves and those around us to give our best.

# COMPRESSION COUPLER

CODE	dxd	D	L	I	PN
70140020	20 X 20	46	108	52	*16
70140025	25 X 25	55	122	59	*16
70140027	27 X 27	55	126	61	*16
70140032	32 X 32	63	139	68	*16
70140040	40 X 40	79	168	82	*16
70140050	50 X 50	96	204	102	*16
70140063	63 X 63	115	248	121	*16
70140075	75 X 75	129	278	136	*16
70140090	90 X 90	155	315	154	*16
70140110	110 X 110	183	422	205	*16
70190040	1½In Rural Compression Coupler				
70190050	2In Rural Compression Coupler				
70240050	50mm Compression Slip/Repair Coupling				
70240063	63mm Compression Slip/Repair Coupling				

*\*Pressure rating varies. Please inquire with sales for specific requirements*

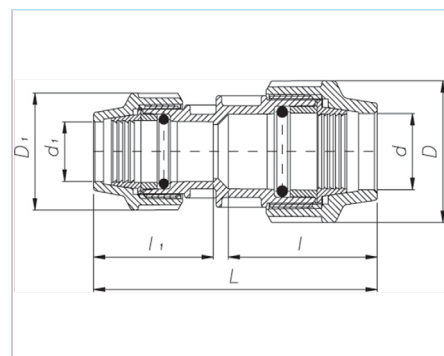
4



Information presented here is for reference only and may not be complete. All dimensions are nominal and may vary from actual dimension. For accurate dimensional data and other information please contact ACU-TECH sales

CODE	dxd1	D	D1	L	I	I1	PN
70342016	20x16	46	42	110	56	50	*16
70342520	25x20	58	46	128	67	56	*16
70343220	32x20	63	46	139	70	60	*16
70343225	32x25	63	55	143	70	66	*16
70344025	40x25	79	55	158	85	66	*16
70344032	40x32	79	63	163	88	71	*16
70345025	50x25	96	55	166	100	64	*16
70345032	50x32	96	63	172	100	70	*16
70345040	50x40	96	79	197	102	86	*16
70346325	63x25	115	63	192	119	64	*16
70346332	63x32	115	63	194	119	71	*16
70346340	63x40	115	79	204	121	81	*16
70346350	63x50	115	96	246	130	104	*16
70347550	75x50	129	96	248	134	100	*16
70347563	75x63	129	115	285	146	130	*16
70349063	90x63	155	115	298	157	134	*16
70349075	90x75	155	129	318	162	146	*16
70341075	100x75	183	129	340	201	134	*16
70341190	110x90	183	155	370	201	157	*16

*\*Pressure rating varies. Please inquire with sales for specific requirements*



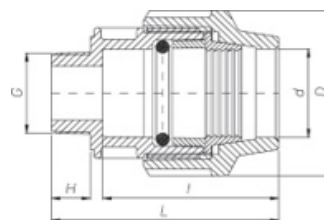
Information presented here is for reference only and may not be complete. All dimensions are nominal and may vary from actual dimension. For accurate dimensional data and other information please contact ACU-TECH sales



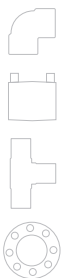
# MALE ADAPTOR

CODE	dxG	D	L	I	H	PN
73542015	20x1/2"	46	81	61	16	*16
73542020	20x3/4"	46	82	61	17	*16
73542025	20x1"	46	85	61	20	*16
73542515	25x1/2"	55	89	69	16	*16
73542520	25x3/4"	55	90	69	17	*16
73542525	25x1"	55	93	69	20	*16
73543215	32x1/2"	63	98	76	16	*16
73543220	32x3/4"	63	98	76	17	*16
73543225	32x1"	63	101	76	20	*16
73543232	32x1 1/4"	63	104	76	23	*16
73543240	32x1 1/2"	63	104	76	23	*16
73544025	40x1"	79	108	82	21	*16
73544032	40x1 1/4"	79	117	82	29	*16
73544040	40x1 1/2"	79	117	82	28	*16
73544050	40x2"	79	120	82	34	*16
73545025	50x1"	96	128	99	23	*16
73545032	50x1 1/4"	96	133	99	28	*16
73545040	50x1 1/2"	96	133	99	28	*16
73545050	50x2"	96	137	99	32	*16
73546332	63x1 1/4"	115	157	120	28	*16
73546340	63x1 1/2"	115	157	120	28	*16
73546350	63x2"	115	161	120	32	*16
73546365	63x2 1/2"	115	158	120	29	*16
73547550	75x2"	129	171	135	27	*16
73547565	75x2 1/2"	129	178	135	34	*16
73547580	75x3"	129	178	135	34	*16
73549050	90x2"	155	200	158	34	*16
73549065	90x2 1/2"	155	200	158	34	*16
73549080	90x3"	155	200	158	34	*16
73549010	90x4"	155	200	158	36	*16
73541150	110x2"	183	247	198	34	*16
73541180	110x3"	183	250	198	37	*16

\*Pressure rating varies. Please inquire with sales for specific requirements



Information presented here is for reference only and may not be complete. All dimensions are nominal and may vary from actual dimension. For accurate dimensional data and other information please contact ACU-TECH sales

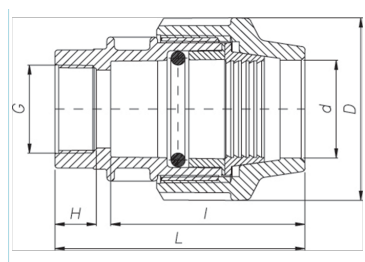


CODE	dxG	D	L	I	H	PN
73642015	20x1/2"	46	77	58	18	**16
73642020	20x3/4"	46	79	58	20	**16
73642025	20x1"	46	81	58	22	**16
73642515	25x1/2"	55	84	65	18	**16
73642520	25x3/4"	55	86	65	20	**16
73642525	25x1"	55	88	65	22	**16
73643215	32x1/2"	63	92	71	18	**16
73643220	32x3/4"	63	94	71	20	**16
73643225	32x1"	63	96	71	22	**16
73643232	*32x1 1/4"	63	97	71	23	**16
73644025	40x1"	79	110	81	20	**16
73644032	*40x1 1/4"	79	112	81	22	**16
73644040	*40x1 1/2"	79	113	81	23	**16
73645032	*50x1 1/4"	96	131	100	22	**16
73645040	*50x1 1/2"	96	132	100	23	**16
73645050	*50x2"	96	137	100	22	**16
73646332	*63x1 1/4"	115	159	121	23	**16
73646340	*63x1 1/2"	115	160	121	28	**16
73646350	*63x2"	115	165	121	22	**16
73646363	*63x2 1/2"	115	168	121	23	**16
73647550	*75x2"	129	182	137	28	**16
73647563	*75x2 1/2"	129	187	137	33	**16
73647580	*75x3"	129	187	137	33	**16
73649050	*90x2"	155	190	152	26	**16
73649063	*90x2 1/2"	155	195	152	33	**16
73649080	*90x3"	155	195	152	33	**16
73641180	*110x3"	183	263	204	40	**16
73641110	*110x4"	183	263	204	43	**16

Information presented here is for reference only and may not be complete. All dimensions are nominal and may vary from actual dimension. For accurate dimensional data and other information please contact ACU-TECH sales

\*The threaded end is reinforced with a stainless steel ring

\*\*Pressure rating varies. Please inquire with sales for specific requirements

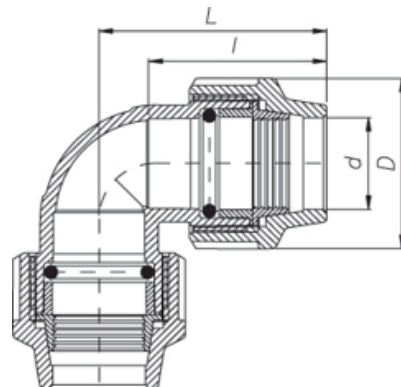


# 90° ELBOW

CODE	dxd	D	L	I	PN
70540020	20x20	46	51	63	*16
70540025	25x25	55	63	79	*16
70540032	32x32	63	71	88	*16
70540040	40x40	79	80	106	*16
70540050	50x50	96	100	125	*16
70540063	63x63	115	123	151	*16
70540075	75x75	129	136	177	*16
70540090	90x90	155	156	204	*16
70540110	110x110	183	201	258	*16

*\*Pressure rating varies. Please inquire with sales for specific requirements*

8

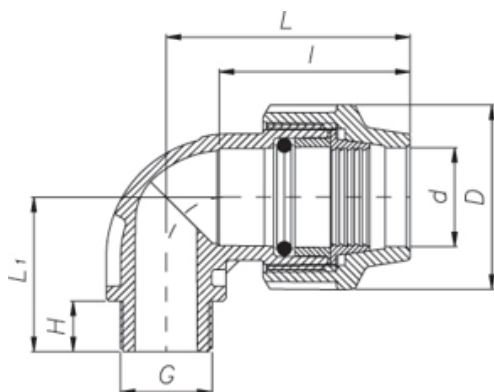


Information presented here is for reference only and may not be complete. All dimensions are nominal and may vary from actual dimension. For accurate dimensional data and other information please contact ACU-TECH sales



CODE	dxG	D	I	H	L	L1	PN
70742015	20x1/2"	46	56	18	74	39	*16
70742020	20x3/4"	46	56	19	74	40	*16
70742515	25x1/2"	55	64	18	84	43	*16
70742520	25x3/4"	55	64	19	84	44	*16
70742525	25x1"	55	64	22	84	47	*16
70743215	32x1/2"	63	68	18	95	47	*16
70743220	32x3/4"	63	68	19	95	48	*16
70743225	32x1	63	68	22	95	51	*16
70743232	32x1 1/4"	63	68	25	95	54	*16
70744025	40x1"	79	81	22	115	61	*16
70744032	40x1 1/4"	79	81	25	115	64	*16
70744040	40x1 1/2"	79	81	25	115	64	*16
70745032	50x1 1/4"	96	102	27	138	77	*16
70745040	50x1 1/2"	96	102	27	138	77	*16
70746350	63x2"	115	130	28	174	100	*16
70741110	110x4"	183	205	42	270	144	*16

\*Pressure rating varies. Please inquire with sales for specific requirements

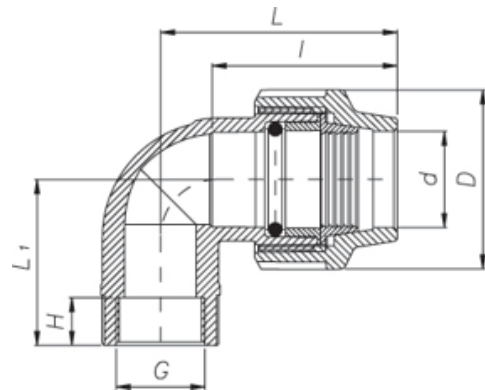


Information presented here is for reference only and may not be complete. All dimensions are nominal and may vary from actual dimension. For accurate dimensional data and other information please contact ACU-TECH sales

# ELBOW WITH FEMALE END

CODE	dxG	D	I	H	L	L1	PN
70642015	20x1/2"	46	56	18	57	39	*16
70642020	20x3/4"	46	56	18	57	40	*16
70642515	25x1/2"	55	64	18	66	45	*16
70642020	25x3/4"	55	64	18	66	46	*16
70642525	25x1"	55	64	20	66	48	*16
70643215	32x1/2"	63	68	17	75	48	*16
70643220	32x3/4"	63	68	18	75	49	*16
70643225	32x1"	63	68	21	75	51	*16
70643232	32x1 1/4"	63	68	26	75	56	*16
70644020	40x3/4"	79	81	18	95	55	*16
70644025	40x1"	79	81	21	95	59	*16
70644032	40x1 1/4"	79	81	25	95	64	*16
70644040	40x1 1/2"	79	81	25	95	63	*16
70645032	50x1 1/4"	96	103	24	110	85	*16
70645040	50x1 1/2"	96	103	27	110	92	*16
70646340	63x1 1/2"	115	131	26	140	101	*16
70646350	63x2"	115	131	35	140	108	*16
70646365	63x2 1/2"	115	131	35	140	108	*16
70647550	75x2"	129	143	36	157	123	*16
70647565	75x2 1/2"	129	143	37	157	125	*16
70647580	75x3"	129	143	38	157	129	*16
70649080	90x3"	155	158	40	169	142	*16
70649010	90x4"	155	158	40	169	142	*16
70641180	110x3"	183	211	40	223	134	*16
70741110	110x4"	183	205	42	270	144	*16

\*Pressure rating varies. Please inquire with sales for specific requirements

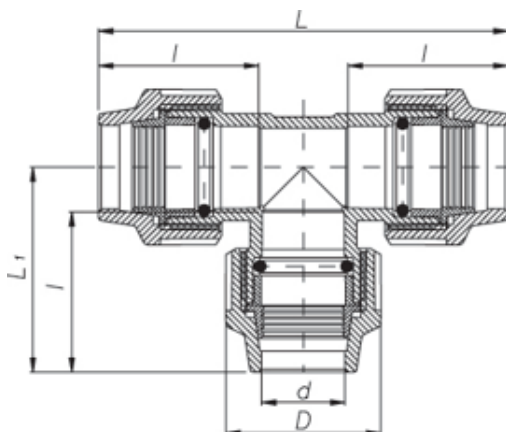


Information presented here is for reference only and may not be complete. All dimensions are nominal and may vary from actual dimension. For accurate dimensional data and other information please contact ACU-TECH sales



CODE	dxdxd	D	L	I	L1	PN
71540020	20x20x20	46	139	59	69	*16
71540025	25x25x25	55	162	66	79	*16
71540032	32x32x32	63	183	74	90	*16
71540040	40x40x40	79	218	88	108	*16
71540050	50x50x50	96	254	100	125	*16
71540063	63x63x63	115	314	124	156	*16
71540075	75x75x75	129	364	142	180	*16
71540090	90x90x90	155	407	154	199	*16
71540110	110x110x110	183	539	209	264	*16

*\*Pressure rating varies. Please inquire with sales for specific requirements*



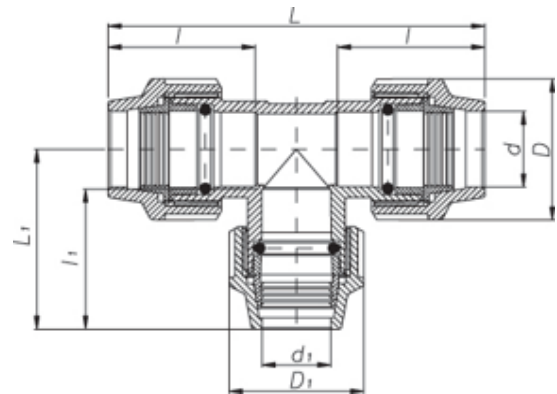
Information presented here is for reference only and may not be complete. All dimensions are nominal and may vary from actual dimension. For accurate dimensional data and other information please contact ACU-TECH sales



# REDUCING TEE

CODE	dxd1xd	D	d1	L	I	LI	I1	PN
71642016	20x16x20	46	42	141	57	67	57	*16
71642520	25x20x25	55	46	160	63	73	56	*16
71643220	32x20x32	63	46	183	68	74	56	*16
71643225	32x25x32	63	55	183	68	84	64	*16
71644025	40x25x40	79	55	222	83	92	68	*16
71644032	40x32x40	79	63	222	83	101	79	*16
71645025	50x25x50	96	55	265	104	98	63	*16
71645032	50x32x50	96	63	265	104	107	68	*16
71645040	50x40x50	96	79	265	104	124	94	*16
71646325	63x25x63	115	96	336	133	116	63	*16
71646332	63x32x63	115	63	336	133	113	67	*16
71646340	63x40x63	115	79	336	133	136	94	*16
71646350	63x50x63	115	96	336	133	143	111	*16
71647563	75x63x75	129	115	365	136	170	123	*16
71649063	90x63x90	155	115	415	154	192	133	*16
71649075	90x75x90	155	129	407	154	195	136	*16
71641190	110x90x110	183	155	535	203	231	156	*16

\*Pressure rating varies. Please inquire with sales for specific requirements



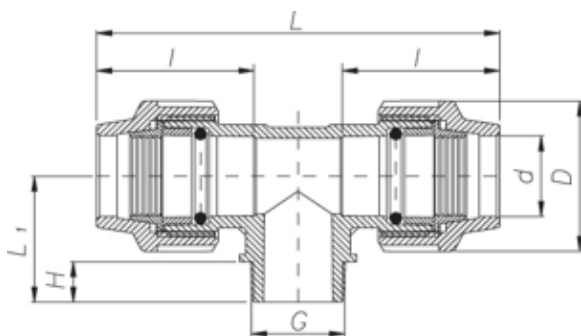
Information presented here is for reference only and may not be complete. All dimensions are nominal and may vary from actual dimension. For accurate dimensional data and other information please contact ACU-TECH sales



# TEE WITH MALE OFF-TAKE

CODE	dxGxd	D	L	I	H	LI	PN
71842015	20x1/2"x20	46	139	56	16	35	*16
71842020	20x3/4"x20	46	139	56	17	36	*16
71842515	25x1/2"x25	55	160	63	16	35	*16
71842520	25x3/4"x25	55	160	63	17	36	*16
71842525	25x1"x25	55	160	63	19	38	*16
71843215	32x1/2"x32	63	183	68	16	35	*16
71843220	32x3/4"x32	63	183	68	17	36	*16
71843225	32x1"x32	63	183	68	20	39	*16
71843232	32x1 1/4"x32	63	183	68	22	41	*16
71844025	40x1"x40	79	218	81	20	44	*16
71844032	40x1 1/4"x40	79	218	81	22	44	*16
71845040	40x1 1/2"x40	79	218	81	22	44	*16
71845032	50x1 1/4"x50	96	264	103	24	49	*16
71845040	50x1 1/2"x50	96	264	103	25	50	*16
71845050	50x2"x50	96	264	103	29	54	*16
71846340	63x1 1/2"x63	115	335	130	25	60	*16
71846350	63x2"x63	115	335	130	27	62	*16
71846360	63x2 1/2"x63	115	335	130	28	63	*16
71847560	75x2 1/2"x75	129	365	137	32	70	*16
71847580	75x3"x75	129	365	137	35	73	*16
71849080	90x3"x90	155	408	155	35	73	*16
71849010	90x4"x90	155	408	155	41	81	*16
71841110	110x4"x110	183	538	211	42	98	*16

\*Pressure rating varies. Please inquire with sales for specific requirements



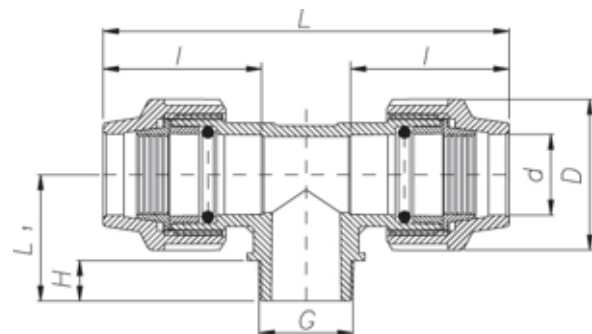
Information presented here is for reference only and may not be complete. All dimensions are nominal and may vary from actual dimension. For accurate dimensional data and other information please contact ACU-TECH sales

# TEE WITH FEMALE OFF-TAKE

CODE	dxGxd	D	L	I	H	LI	PN
71742015	20x1/2"x20	46	139	55	19	47	**16
71742020	20x3/4"x20	46	139	55	19	47	**16
71742515	25x1/2"x25	55	160	63	16	50	**16
71742520	25x3/4"x25	55	160	63	16	50	**16
71742525	25x1"x25	55	160	63	21	55	**16
71743220	32x1/2"x32	63	183	68	17	53	**16
71743220	32x3/4"x32	63	183	68	17	53	**16
71743225	32x1"x32	63	183	68	21	57	**16
71743232	*32x1 1/4"x32	63	183	68	24	60	**16
71744025	40x1"x40	79	205	81	21	45	**16
71744032	*40x1 1/4"x40	79	217	81	25	49	**16
71744040	*40x1 1/2"x40	79	210	81	23	47	**16
71745040	50x1/2"x50	96	254	97	31	61	**16
71745032	*50x1 1/4"x50	96	254	97	24	54	**16
71745040	50x1 1/2"x50	96	254	97	24	54	**16
71745050	50x2"x50	96	254	97	27	57	**16
71746332	*63x1 1/4"x63	115	313	123	27	62	**16
71746340	*63x1 1/2"x63	115	313	123	27	62	**16
71746350	63x2"x63	115	313	123	30	65	**16
71746360	*63x2 1/2"x63	115	313	123	30	65	**16
71747550	75x2"x75	129	362	138	35	84	**16
71747560	75x2 1/2"x75	129	362	138	35	84	**16
71749080	75x3"x75	129	362	138	36	85	**16
71749060	*90x2 1/2"x90	155	406	154	43	91	**16
71749080	*90x3"x90	155	406	154	47	95	**16
71749010	*90x4"x90	155	406	154	47	95	**16
71741180	*110x3"x110	183	534	205	41	104	**16
71741110	110x4"x110	183	534	205	45	104	**16

\*The threaded end is reinforced with a stainless steel ring

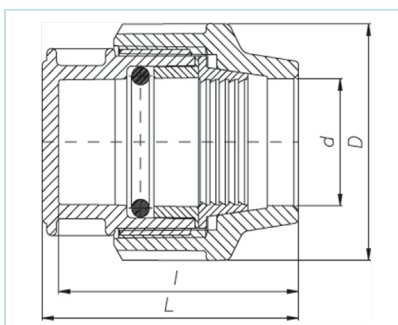
\*\*Pressure rating varies. Please inquire with sales for specific requirements



CODE	d	D	L	I	PN
72740020	20	46	70	65	*16
72740025	25	55	77	72	*16
72740032	32	63	85	79	*16
72740040	40	79	89	83	*16
72740050	50	96	111	100	*16
72740063	63	115	135	123	*16
72740075	75	129	158	137	*16
72740090	90	155	179	158	*16
72740110	110	183	226	202	*16

*\*Pressure rating varies. Please inquire with sales for specific requirements*

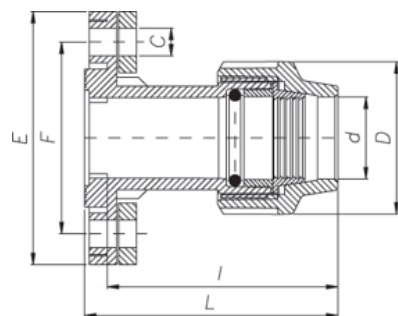
Information presented here on page 112 & 113 is for reference only and may not be complete. All dimensions are nominal and may vary from actual dimension. For accurate dimensional data and other information please contact ACU-TECH sales



# FLANGE ADAPTOR

CODE	d	Nominal Flange Size		DN	D	L	I	E	F	C	n	PN
		mm	inch									
74145040	40	50	2	40	79	141	128	152	110	18x4	4	*16
74145040	50	50	2	40	96	162	148	152	110	18x4	4	*16
74145050	50	65	2.5	50	96	162	148	165	125	18x4	4	*16
74146350	63	65	2.5	50	115	193	178	165	125	18x4	4	*16
74146360	63	80	3	65	115	193	178	184	144	18x4	4	*16
74147560	75	80	3	65	129	201	186	184	144	18x4	4	*16
74149010	90	100	4	100	155	223	202	220	180	18x4	8	*16
74141110	110	100	4	100	183	253	233	220	180	18x4	8	*16

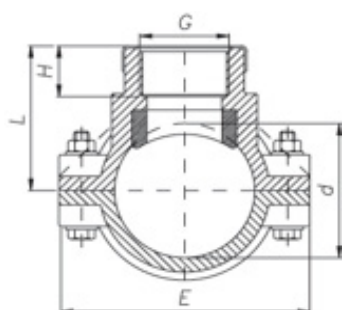
*\*Pressure rating varies. Please inquire with sales for specific requirements*



Information presented here is for reference only and may not be complete. All dimensions are nominal and may vary from actual dimension. For accurate dimensional data and other information please contact ACU-TECH sales



# CLAMP SADDLE WITH REINFORCING RING



CODE	dxG	L	H	E	F	n	PN
72342015	20x1/2"	45	25	80	54	2	*16
72342515	25x1/2"	37	19	80	54	2	*16
72342520	25x3/4"	43	22	80	54	2	*16
72343215	32x1/2"	52	24	80	64	4	*16
72343220	32x3/4"	46	18	80	64	4	*16
72344015	40x1/2"	51	17	87	74	4	*16
72344020	40x3/4"	53	20	87	74	4	*16
72344025	40x1"	60	21	87	74	4	*16
72345015	50x1/2"	65	24	102	78	4	*16
72345020	50x3/4"	66	26	102	78	4	*16
72345025	50x1"	65	24	102	78	4	*16
72346315	63x1/2"	70	24	116	88	4	*16
72346320	63x3/4"	86	23	116	88	4	*16
72346325	63x1"	58	20	116	88	4	*16
72346332	63x11/4"	70	26	116	88	4	*16
72346340	63x11/2"	63	28	116	88	4	*16
72347515	75x1/2"	81	25	130	88	4	*16
72347520	75x3/4"	81	26	130	88	4	*16
72347525	75x1"	80	26	130	88	4	*16
72347532	75x11/4"	81	26	130	88	4	*16
72347540	75x11/2"	80	26	130	88	4	*16
72347550	75x2"	84	30	130	88	4	*16
72349015	90x1/2"	90	25	150	88	4	*16
72349020	90x3/4"	90	27	150	88	4	*16
72349025	90x1"	90	27	150	88	4	*16
72349032	90x11/4"	90	24	150	88	4	*16
72349040	90x11/2"	90	30	150	88	4	*16
72349050	90x2"	90	29	150	88	4	*16
72341115	110x1/2"	100	24	175	107	6	*16
72341120	110x3/4"	100	27	175	107	6	*16
72341125	110x1"	100	25	175	107	6	*16
72341132	110x11/4"	100	26	175	107	6	*16
72341140	110x11/2"	105	30	175	107	6	*16
72341150	110x2"	105	30	175	107	6	*16

*Larger Dimensions and lower pressure ratings available on request*

*\*Pressure rating varies. Please inquire with sales for specific requirements*

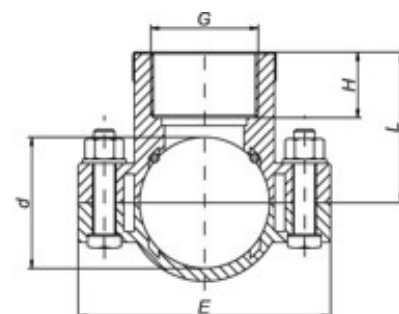
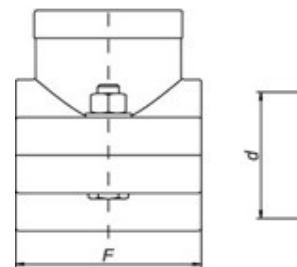
Information presented here is for reference only and may not be complete. All dimensions are nominal and may vary from actual dimension. For accurate dimensional data and other information please contact ACU-TECH sales



# CLAMP SADDLE PN10/PN6

CODE	dxG	L	H	E	F	n	PN	CODE	dxG	L	H	E	F	n	PN
72362515	25x1/2"	38	20	76	49	2	*10	72361625	160x1"	110	21	215	175	6	*6
72362520	25x3/4"	38	21	76	49	2	*10	72361632	160x11/4"	113	24	215	175	6	*6
72363215	32x1/2"	41	17	81	56	2	*10	72361640	160x11/2"	115	26	215	175	6	*6
72363220	32x3/4"	41	21	81	56	2	*10	72361650	160x2"	117	30	215	175	6	*6
72363225	32x1"	44	23	81	56	2	*10	7236160	160x21/2"	125	32	215	175	6	*6
72364015	40x1/2"	41	17	81	60	2	*10	72361680	160x3"	134	35	215	175	6	*6
72364020	40x3/4"	46	18	81	60	2	*10	72361610	160x4"	135	40	215	175	6	*6
72364025	40x1"	46	23	81	60	2	*10	72362020	200x3/4"	128	23	262	175	6	*6
72365015	50x1/2"	50	17	98	69	4	*10	72362025	200x1"	130	23	262	175	6	*6
72365020	50x3/4"	50	18	98	69	4	*10	72362032	200x11/4"	133	23	262	175	6	*6
72365025	50x1"	52	20	98	69	4	*10	72362040	200x11/2"	133	23	262	175	6	*6
72365032	50x11/4"	57	25	98	69	4	*10	72362050	200x2"	135	30	262	175	6	*6
72366315	63x1/2"	55	16	105	79	4	*10	72362060	200x21/2"	150	32	262	175	6	*6
72366320	63x3/4"	55	18	105	79	4	*10	72362080	200x3"	152	35	262	175	6	*6
72366325	63x1"	59	20	105	79	4	*10	72362010	200x4"	155	42	262	175	6	*6
72366332	63x11/4"	63	25	105	79	4	*10								
72366340	63x11/2"	63	28	105	79	4	*10								
72367515	75x1/2"	62	17	120	90	4	*10								
72367520	75x3/4"	62	18	120	90	4	*10								
72367520	75x1"	65	21	120	90	4	*10								
72367532	75x11/4"	68	24	120	90	4	*10								
72367540	75x11/2"	68	23	120	90	4	*10								
72367550	75x2"	72	27	120	90	4	*10								
72369015	90x1/2"	70	17	135	90	4	*10								
72369020	90x3/4"	70	19	135	90	4	*10								
72369025	90x1"	72	21	135	90	4	*10								
72369032	90x11/4"	76	24	135	90	4	*10								
72369040	90x11/2"	76	24	135	90	4	*10								
72369050	90x2"	80	27	135	90	4	*10								
72361115	110x1/2"	80	17	168	99	4	*10								
72361120	110x3/4"	80	19	168	99	4	*10								
72361125	110x1"	84	20	168	99	4	*10								
72361132	110x11/4"	86	23	168	99	4	*10								
72361140	110x11/2"	86	23	168	99	4	*10								
72361150	110x2"	90	27	190	99	4	*10								
72361215	125x1/2"	108	25	190	106	6	*10								
72361220	125x3/4"	108	26	190	106	6	*10								
72361225	125x1"	109	26	190	106	6	*10								
72361232	125x11/4"	109	25	190	106	6	*10								
72361240	125x11/2"	113	28	215	106	6	*10								
72361250	125x2"	113	30	215	106	6	*10								
72361250	160x3/4"	108	19	215	175	6	*6								

NOTE: These fittings are designed for low pressure irrigation and industrial pipelines only.



Information presented here on page 116 and 117 is for reference only and may not be complete. All dimensions are nominal and may vary from actual dimension. For accurate dimensional data and other information please contact ACU-TECH sales

## BUSH



CODE	DIAMETER	PN
75742015	3/4" x 1/2"	*10
75742515	1" x 1/2"	*10
75742520	1" x 3/4"	*10
75743215	1 1/4" x 1/2"	*10
75743220	1 1/4" x 3/4"	*10
75743225	1 1/4" x 1"	*10
75744020	1 1/2" x 3/4"	*10
75744025	1 1/2" x 1"	*10
75744032	1 1/2" x 1 1/4"	*10
75745020	2" x 3/4"	*10
75745032	2" x 1"	*10
75745032	2" x 1 1/4"	*10
75745040	2" x 1 1/2"	*10
75746550	2 1/2" x 2"	*10
75748050	3" x 2"	*10
75748065	3 x 2 1/2"	*10

## MALE-FEMALE 90 BEND



CODE	DIAMETER	PN
79140015	1/2" x 1/2"	*10
79140020	3/4" x 3/4"	*10
79140025	1" x 1"	*10
79140032	1 1/4" x 1 1/4"	*10
79140040	1 1/2" x 1 1/2"	*10
79140050	2" x 2"	*10

## EQUAL TEE FEMALE



CODE	DIAMETER	PN
79240015	1/2" x 1/2" x 1/2"	*10
79240020	3/4" x 3/4" x 3/4"	*10
79240025	1" x 1" x 1"	*10
79240032	1 1/4" x 1 1/4" x 1 1/4"	*10
79240040	1 1/2" x 1 1/2" x 1 1/2"	*10
79240050	2" x 2" x 2"	*10

\*Pressure rating varies. Please inquire with sales for specific requirements



# THREADED FITTINGS

NIPPLE



REDUCING NIPPLE



THREADED CAP



THREADED PLUG

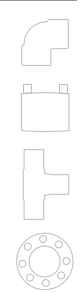


CODE	DIAMETER	PN
75840015	1/2" x 1/2"	*10
75840020	3/4" x 3/4"	*10
75840025	1" x 1"	*10
75840032	1 1/4" x 1 1/4"	*10
75840040	1 1/2" x 1 1/2"	*10
75840050	2" x 2"	*10
75840065	2 1/2" x 2 1/2"	*10
75840080	3" x 3"	*10

CODE	DIAMETER	PN
75942015	3/4" x 1/2"	*10
75942520	1" x 3/4"	*10
75943225	1 1/4" x 1"	*10
75944032	1 1/2" x 1 1/4"	*10
75945040	2" x 1 1/2"	*10
75946550	2 1/2" x 2"	*10
75948065	3 x 2 1/2"	*10

CODE	DIAMETER	PN
75340015	1/2"	*10
75340020	3/4"	*10
75340025	1"	*10
75340032	1 1/4"	*10
75340040	1 1/2"	*10
75340050	2"	*10

CODE	DIAMETER	PN
75240015	1/2"	*10
75240020	3/4"	*10
75240025	1"	*10
75240032	1 1/4"	*10
75240040	1 1/2"	*10
75240050	2"	*10
75240065	2 1/2"	*10
75240080	3"	*10



## SOCKET



CODE	DIAMETER	PN
75440015	1/2" x 1/2"	*10
75440020	3/4" x 3/4"	*10
75440025	1" x 1"	*10
75440032	1 1/4" x 1 1/4"	*10
75440040	1 1/2" x 1 1/2"	*10
75440050	2" x 2"	*10
75440065	2 1/2" x 2 1/2"	*10
75440080	3" x 3"	*10

## REDUCING SOCKET



CODE	DIAMETER	PN
75542015	3/4" x 1/2"	*10
75542520	1" x 3/4"	*10
75543225	1 1/4" x 1"	*10
75544032	1 1/2" x 1 1/4"	*10
75545040	2" x 1 1/2"	*10
75546550	2 1/2" x 2"	*10
75548065	3" x 2 1/2"	*10

## MALE-FEMALE REDUCER



CODE	DIAMETER	PN
75641510	1/2" x 3/8"	*10
75642015	3/4" x 1/2"	*10
75642515	1" x 1/2"	*10
75642520	1" x 3/4"	*10
75643220	1 1/4" x 3/4"	*10
75643225	1 1/4" x 1"	*10
75644032	1 1/2" x 1 1/4"	*10
75645040	2 x 1 1/2"	*10

*\*Pressure rating varies. Please inquire with sales for specific requirements*



Information presented here on page 118 & 119 is for reference only and may not be complete. All dimensions are nominal and may vary from actual dimension. For accurate dimensional data and other information please contact ACU-TECH sales

# Quality Assurance



## ISO 9001: DELIVERING EXCELLENCE

At Acu-Tech Piping Systems, we go above and beyond to ensure exceptional quality, epitomised by our ISO 9001 certification - a symbol of excellence in quality assurance.

Our ISO 9001 certification reflects our unwavering commitment to delivering top-tier products and services, while continually refining our processes.

- ✓ **Elevating Product Excellence**
- ✓ **Prioritising Customer Satisfaction**
- ✓ **Streamlining Efficiency and Enhancing Processes**
- ✓ **Mitigating Risk**
- ✓ **Achieving Global Recognition**

In summary, Acu-Tech Piping Systems' ISO 9001 certification is not just a label; it signifies our commitment to providing excellence in quality assurance, ensuring our customers receive the best products and services available.



## What sets us apart?

**Consistent reliability:** We consistently provide the ideal solution at the most cost-effective value.

**Client-focused approach:** We actively listen and collaborate closely with our clients to grasp the challenges they face.

**Tailored solutions:** Leveraging our materials, technology, training, and installation methods, we help determine and implement the right solutions for our clients.

**Problem-solving expertise:** Leveraging our vast knowledge and experience, we address challenges and deliver effective solutions.

**Industry-specific delivery:** We excel in providing bespoke pipeline solutions specifically tailored to the distinctive requirements of the industries we serve.



# Equipment Hire & Servicing

Acu-Tech supplies and hires a wide range of welding equipment.

Our hire division has a full range of butt welders, extrusion welders and electrofusion welders that can weld pipe diameters from 20mm up to 1000mm. This includes a wide variety of electrofusion equipment and butt welders, which can be useful if your team is trained to use a particular model.

If you are welding on a site without power supply, we also provide portable generators, designed to be used with poly welding equipment.

New equipment is available for sale if you prefer to invest in equipment upfront.

Work with Acu-Tech and a recommended financial advisor to facilitate capital equipment purchases. Contact our hire sales team for more information.

View the Equipment Hire website:  
<https://acu-techhire.com.au/>



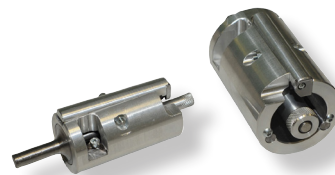
Multi Scraper



Mono Pipe Scraper



Pipe Cutter



Turbo Pipe Scrapers



Electrofusion Welders







# Transport & Warehouse Logistics

Our transportation yard has the capacity to load up to 15 trucks daily, accommodating a diverse range of pipes with lengths of up to 20 meters and diameters of 800mm. Our dedicated transport team is steadfast in their commitment to ensuring orders are delivered in full and on time, with safety as our top priority.

We offer a comprehensive project solution through our dedicated fleet of trucks and skilled drivers.

These professionals undergo rigorous training to guarantee efficient unloading and an unwavering commitment to delivering exceptional service.

Our large transportation fleet has the capability to accommodate a diverse range of pipes with lengths of up to 21 meters and diameters up to 1200mm.

Our dedicated transport team is steadfast in their commitment to ensuring orders are delivered in full and on time, with safety as our top priority. With the added assurance of our overhead permits and Heavy Vehicle Accreditation, you can place full trust in us for the secure and timely delivery of your goods, ensuring a smooth transportation experience that perfectly aligns with all your project needs.

## Training & Testing Facility

Let Polyweld Tech Academy (PWT) assist with your organisation's polyethylene welding practices.

PWT is equipped with accredited NATA Laboratory testing facilities, specialising in tensile testing of butt welds and peel decohesion of electrofusion welds, along with a complete range of QA/QC inspection services.

PWT is a nationally accredited training organisation, offering specialized courses in HDPE butt welding (PMBWELD301E), electrofusion welding (PMBWELD302E) and extrusion welding (PMBWELD309E) techniques. Two-year reaccreditation courses are also available.



For more information and course enrolments: **1300 36 7659 (GO POLY)**  
info@polyweldtech.com.au | www.polyweldtech.com.au

# Table of Physical Properties

The properties given below are typical for HDPE grades used to manufacture pipe. It should be noted that many of these properties are relative to temperature and the duration of stress application. Data should not be used for specification work.

PROPERTY		VALUE	UNIT	TEST METHOD	TEST SPECIMEN
Density at 23°C		0.958	g/cm <sup>2</sup>	ISO 1183	10mm x 10mm x 4mm
Viscosity Number		380	ml/g	ISO 1628-3	0.1% solution of granules in decahydronaphthalene
Melt Flow Rate	MFR 190/5	0.23	g/10min	ISO 1133	Granules sample weight 3g to 6g
	MFR 190/21.6	6.5	g/10min		
Tensile Properties	Yield Stress	26	N/mm <sup>2</sup>	ISO 527, Test Rate 50mm/min	ISO 3167, 4mm thick (test specimen no. 3, 4mm thick according to DIN 53455)
	Elongation at Yield Stress	10	%	ISO 527, Test Rate 50mm/min	
	Tensile modulus of elasticity (secant between 0.05 & 0.25% strain)	900	N/mm <sup>2</sup>	ISO 527	
	Tensile Creep Modulus (1 hour value)	650	N/mm <sup>2</sup>	ISO 899 Test	
	Tensile Creep Test Modulus (1000 hour value)	350	N/mm <sup>2</sup>	Load 2M/mm <sup>2</sup>	
Flexural Properties	Flexural Creep Modulus (1 min value)	1100	N/mm <sup>2</sup>	DIN 54852-Z4 $\sigma_b$ -2N/mm <sup>2</sup>	110mm x 110mm x 4mm loaded flat
	Flexural Stress (3.5% deflection)	20	N/mm <sup>2</sup>	ISO 178, Test Rate 2mm/min	80mm x 10mm x 4mm
Stiffness in Torsion		180	N/mm <sup>2</sup>	DIN 53447	60mm x 6.35mm x 3mm
Hardness	Ball Indentation Hardness	41	N/mm <sup>2</sup>	ISO 2039 1 Test Load 132N	4mm sheet
	Share Hardness D (3 sec value)	61	~	ISO 868	6mm sheet
	Share Hardness D (15 sec value)	59	~		
Notched impact Strength acN (test specimen from compression moulded sheet)	At 23°C	20	Ki/m <sup>2</sup>	ISO 179 / 1eA	80mm x 10mm x 4mm
	At -30°C	10	Ki/m <sup>2</sup>		
Vicat Softening Point VST / B / 50		67	°C	ISO 306	4mm sheet
Oxidation Induction Time	200°C in O <sup>2</sup>	>=60	min	ISO TR 10837	Granules

# Our Capabilities

## Technical Support:

We provide technical support for designers, engineers, and installers.

---

## Training:

Through our training partner we can offer our clients the ability to train staff with nationally accredited polyethylene plastic welding courses.

---

## QA/QC:

We are also qualified to provide Quality Assurance and Quality Control documentation.

---

## Testing:

We have a fully accredited in-house NATA testing facility to provide destructive and pressure testing as per project requirements.

---

## Equipment Hire, Sales, and Servicing:

Acu-Tech offers welding equipment available for hire or sale and providing servicing and calibration for welders.

---

## Transport:

Products are delivered using our own fleet of trucks. By providing our own transport solutions, we can ensure that the product is delivered directly to site in a safe and timely manner.

**National Manufacturer of  
HDPE piping systems**





## The PE Pipe Systems Specialists

Contact us

1300 270 270

[SALES@ACU-TECH.COM.AU](mailto:SALES@ACU-TECH.COM.AU)

ABN: 68 626 756 223

WE CARE. OUR SOLUTIONS. YOUR SUCCESS.